



Features

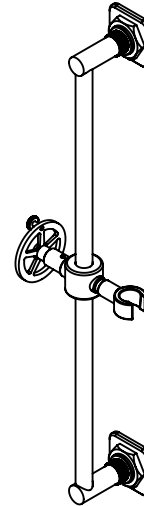
- Available in 28 finishes including 13 PVD finishes
- All brass construction
- Bar pivots 180° without loosening slide handle
- Adjustable position slide with positive-lock swivel holder
- Right or left handed based on installation
- Includes all mounting hardware

Codes/Standards Applicable

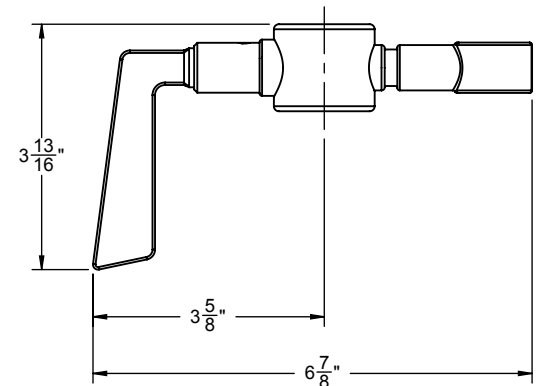
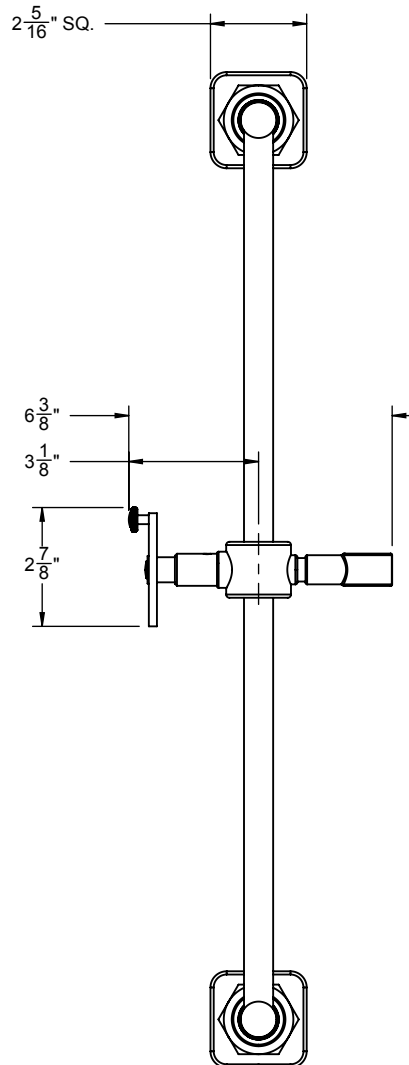
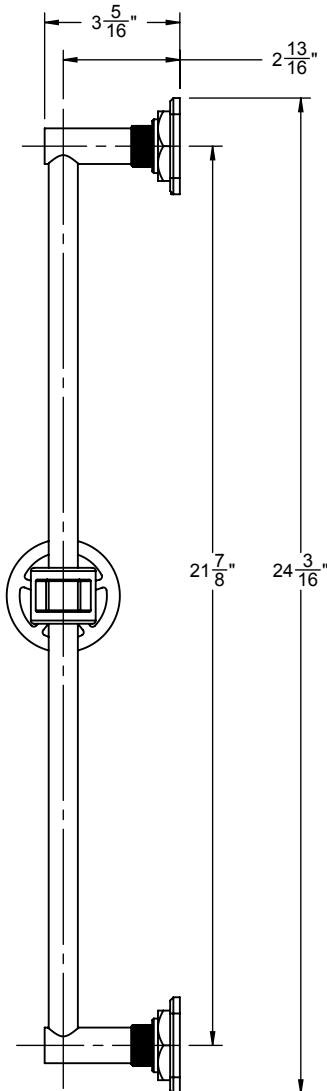
Product meets or exceeds the following:

- ASME A112.18.1/CSA B125.1
- ADA (all lever handles)

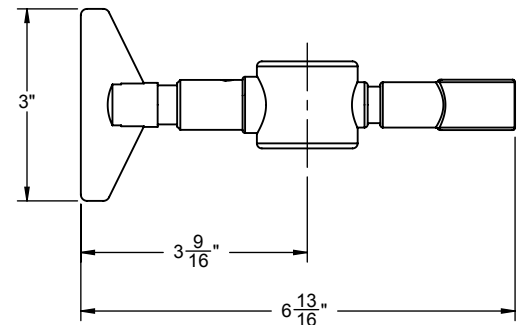
SB-85
SB-85W
SB-85B



SB-85W SHOWN



SB-85 HOLDER DIMENSIONS



SB-85B HOLDER DIMENSIONS

- (2X) - #8 X 1" PHILLIPS HEAD SCREW
- (2X) - ANCHOR, PLASTIC #8-10 FINNED

ALL DIMENSIONS SHOWN TO NEAREST 1/16"